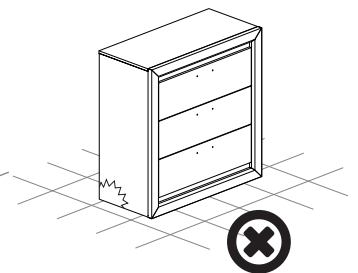
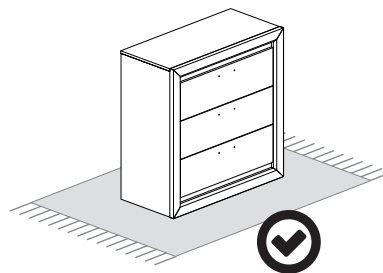
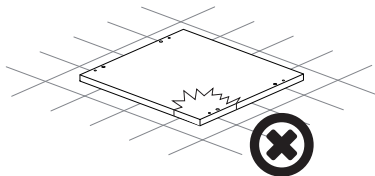
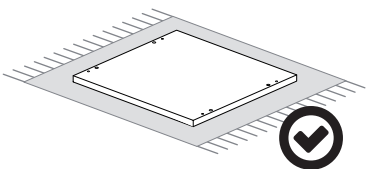
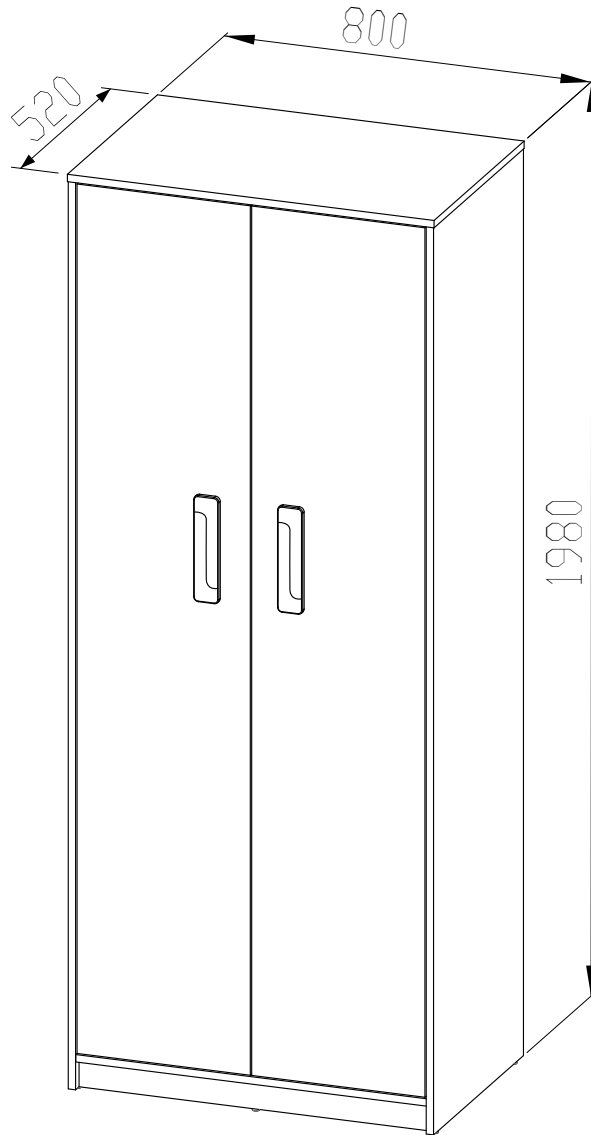
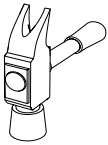
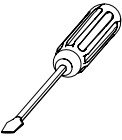
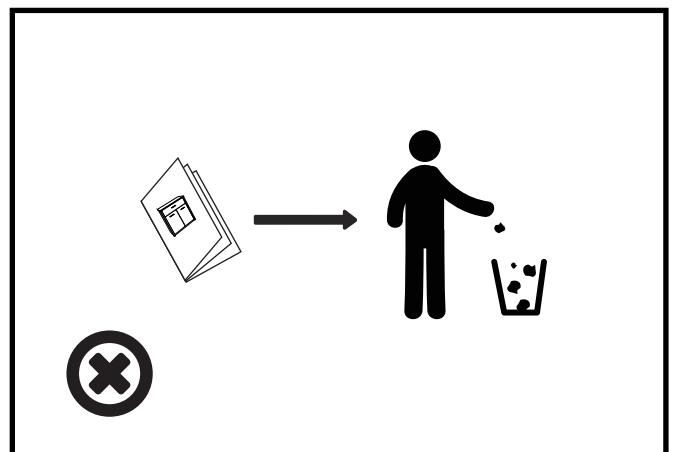
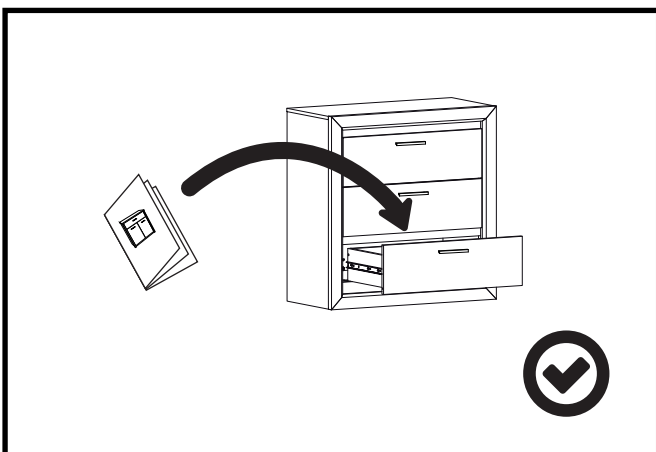
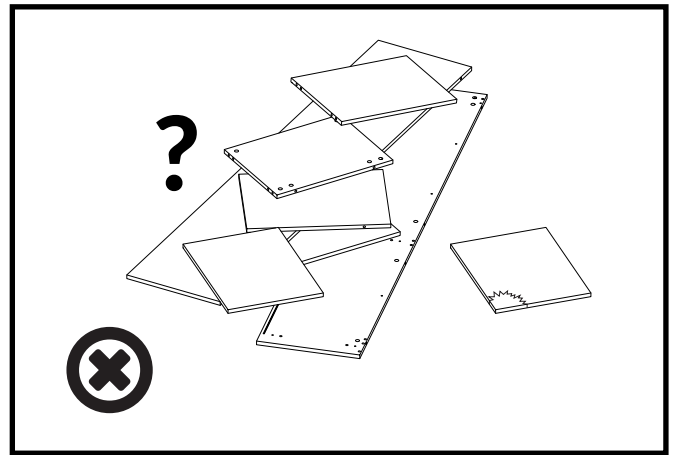
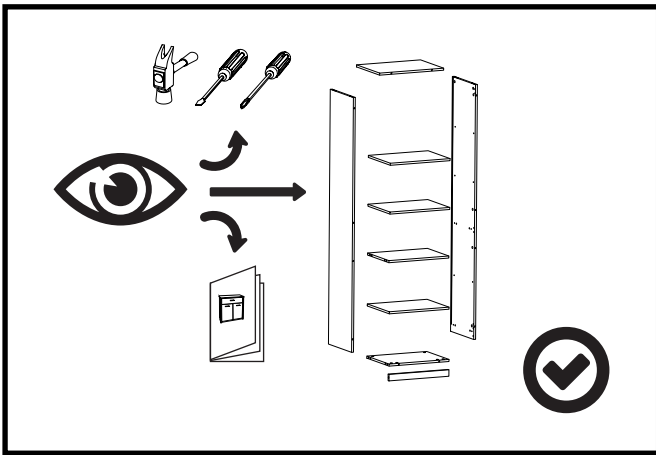
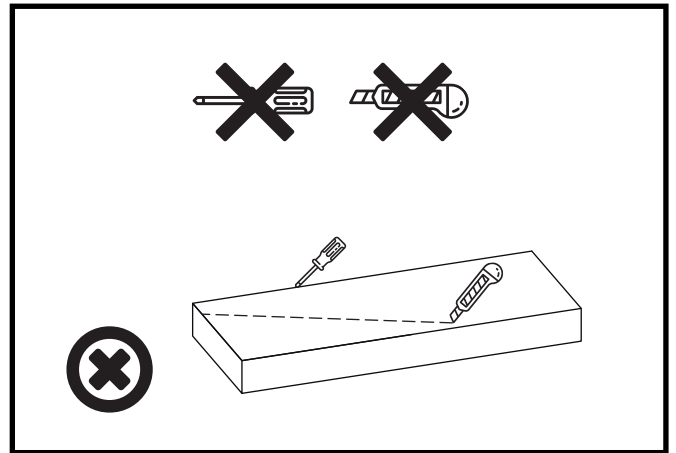
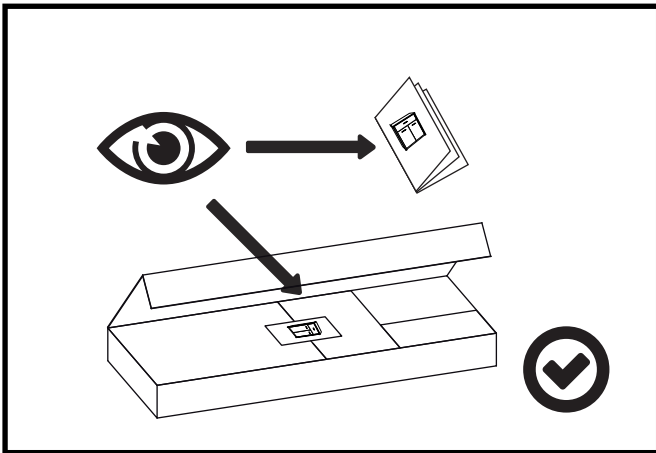
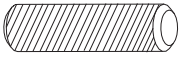


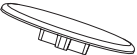


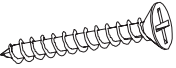



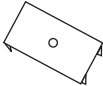
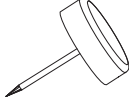
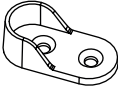
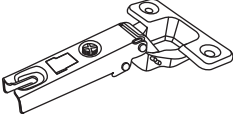
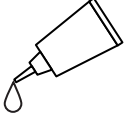





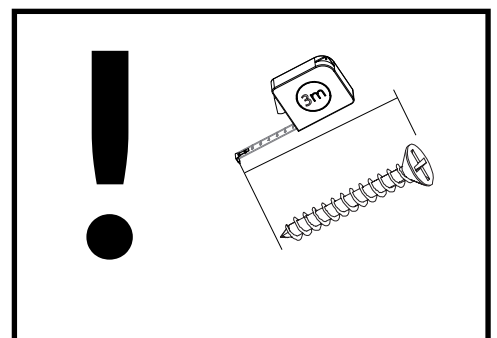
IQ 02



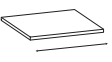
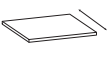
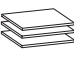


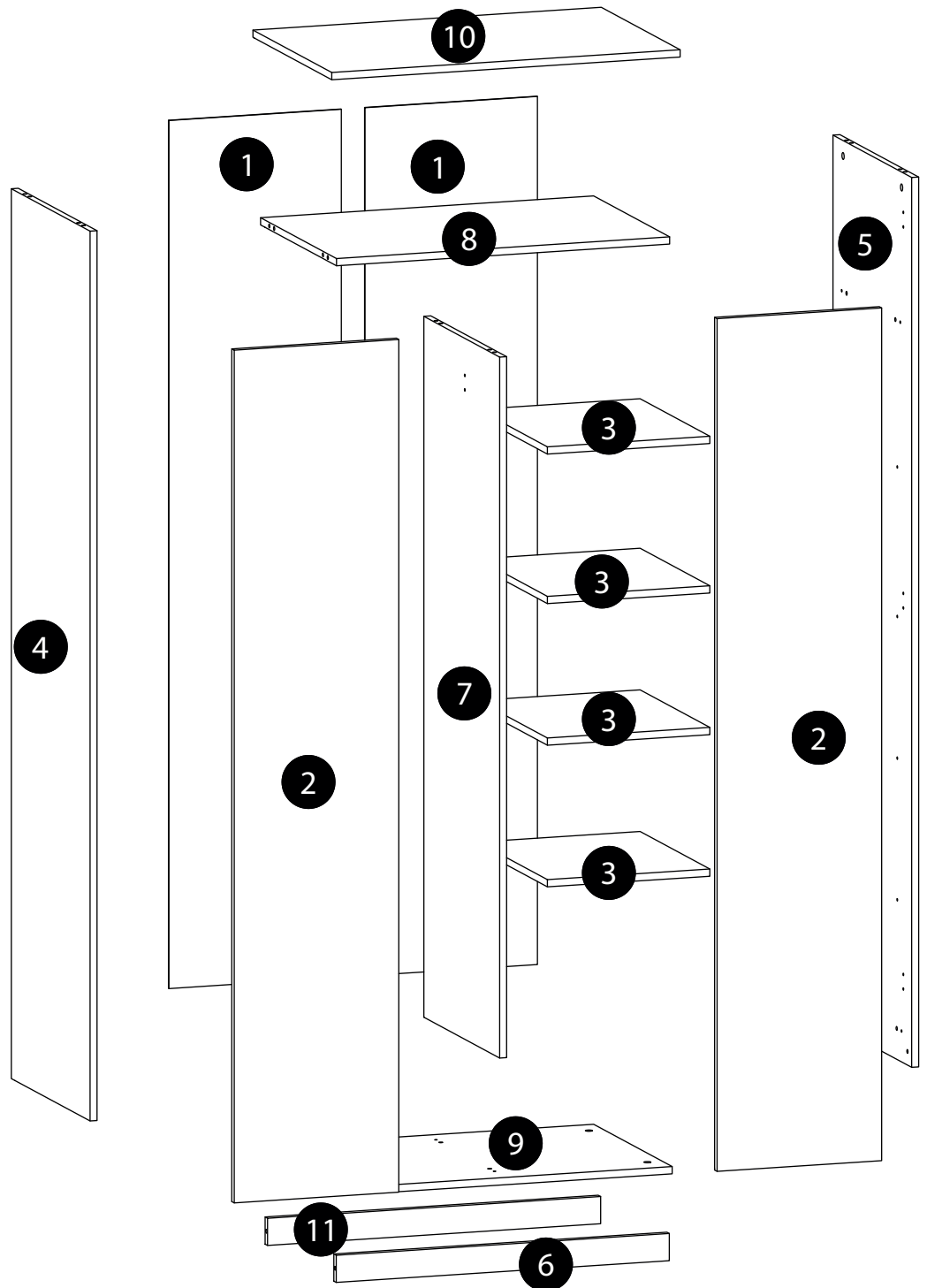
IQ 02

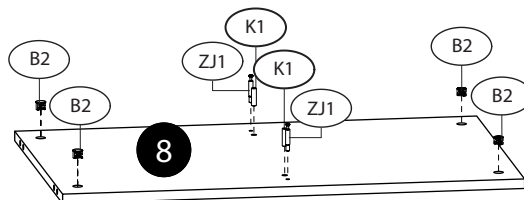
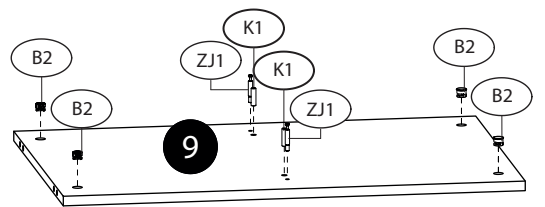
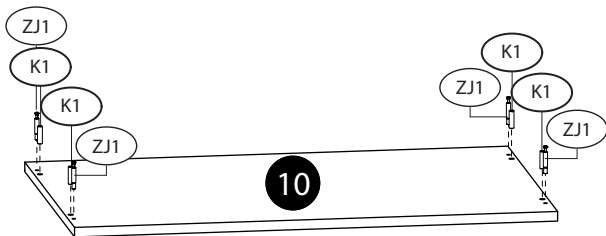
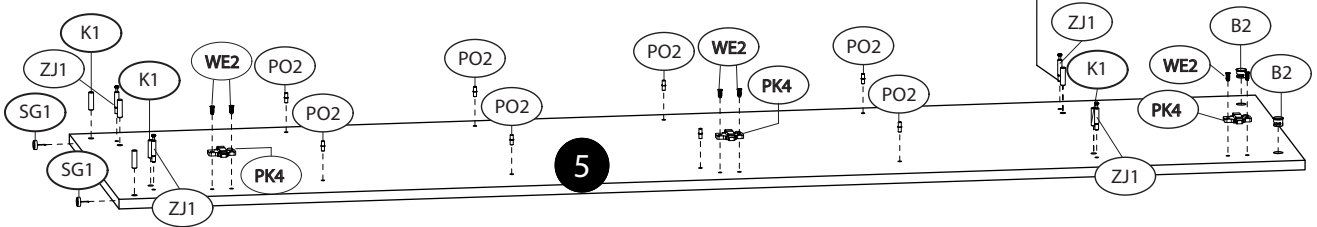
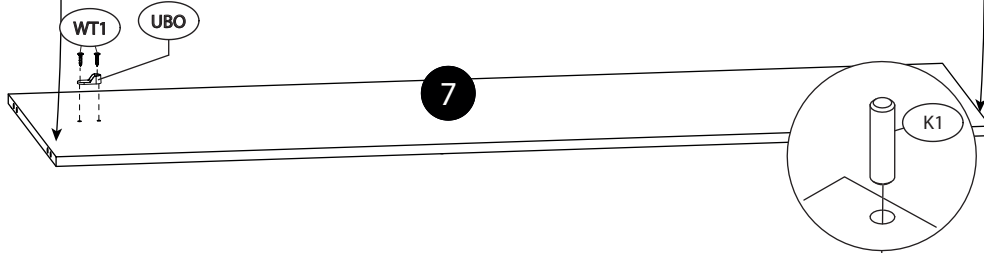
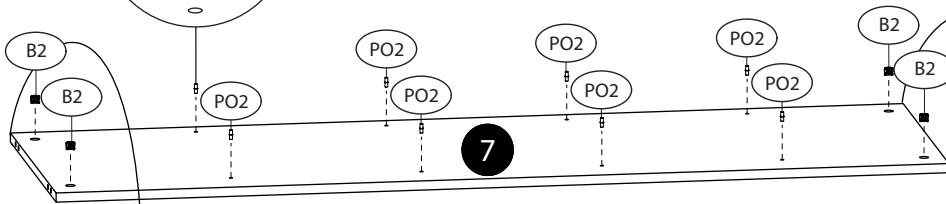
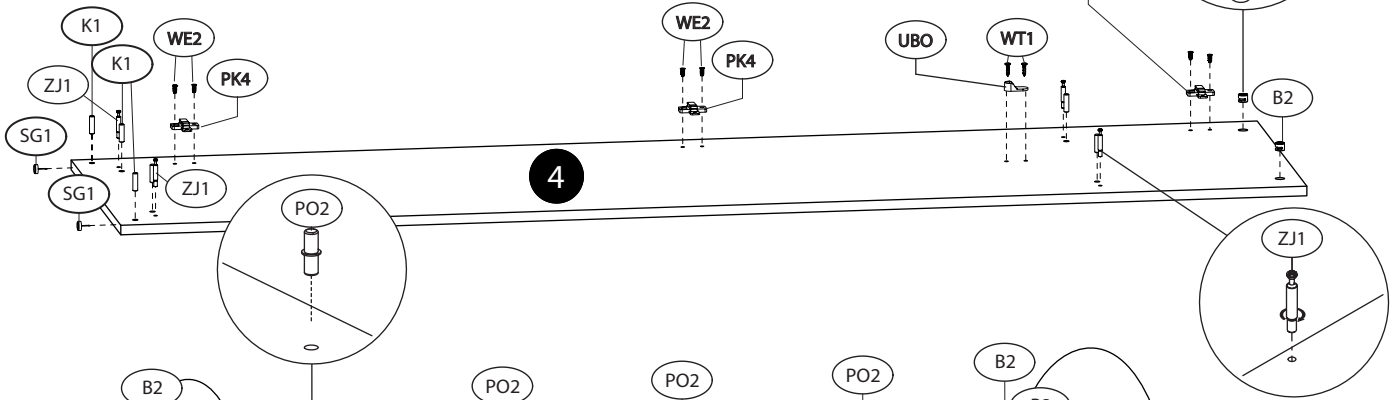
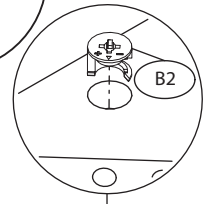
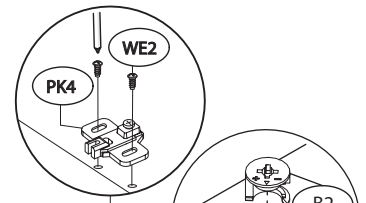
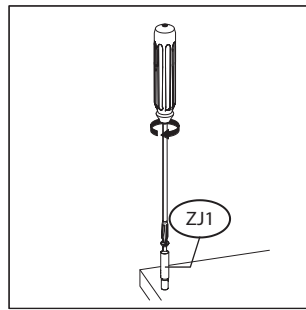
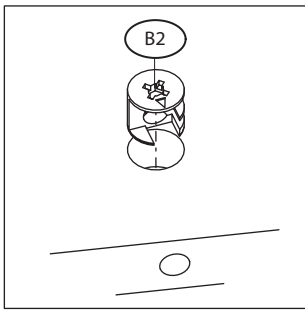
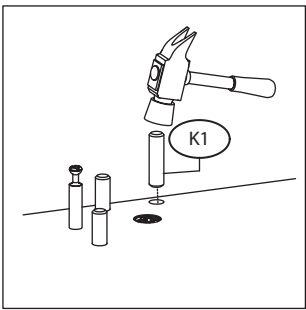
K1 x 20 	GW1 x 70 	B2 x 16 
ZM1 x 16 	ZS1 x 4 	ZJ1 x 16 
WT22 x 4 4x35 	WE2 x 12 6,3x13B 	WT1 x 16 3,5x15 
PO2 x 16 	BR1 x 10 	SG1 x 6 
UBO x 2 	ZP9 x 6 	KL x 1 
PK4 x 6 H-4 	D6 x 1 L- 386 	??? x 2 

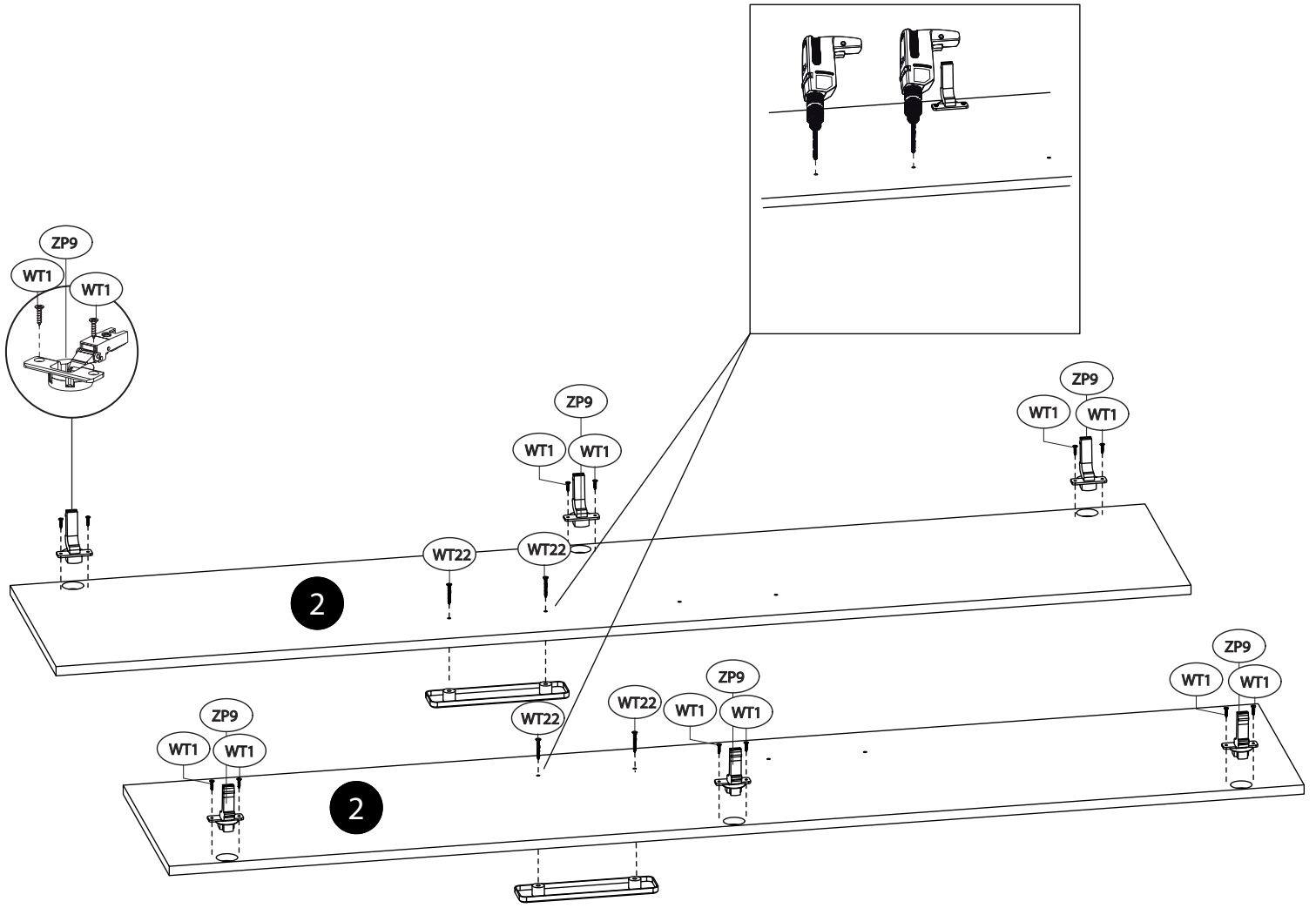


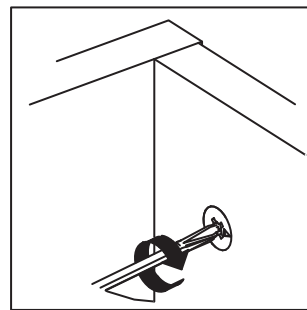
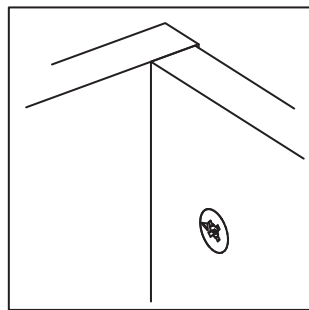
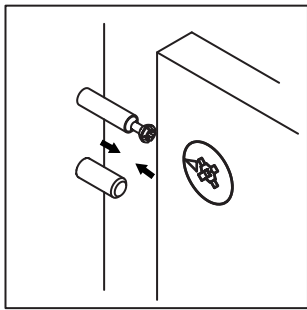
IQ 02

			
①	1916	396	2
②	1882	378	2
③	460	373	4
④	1964	519	1
⑤	1964	519	1
⑥	765	60	1
⑦	1547	500	1
⑧	765	501	1
⑨	765	518	1
⑩	800	520	1
⑪	765	60	1

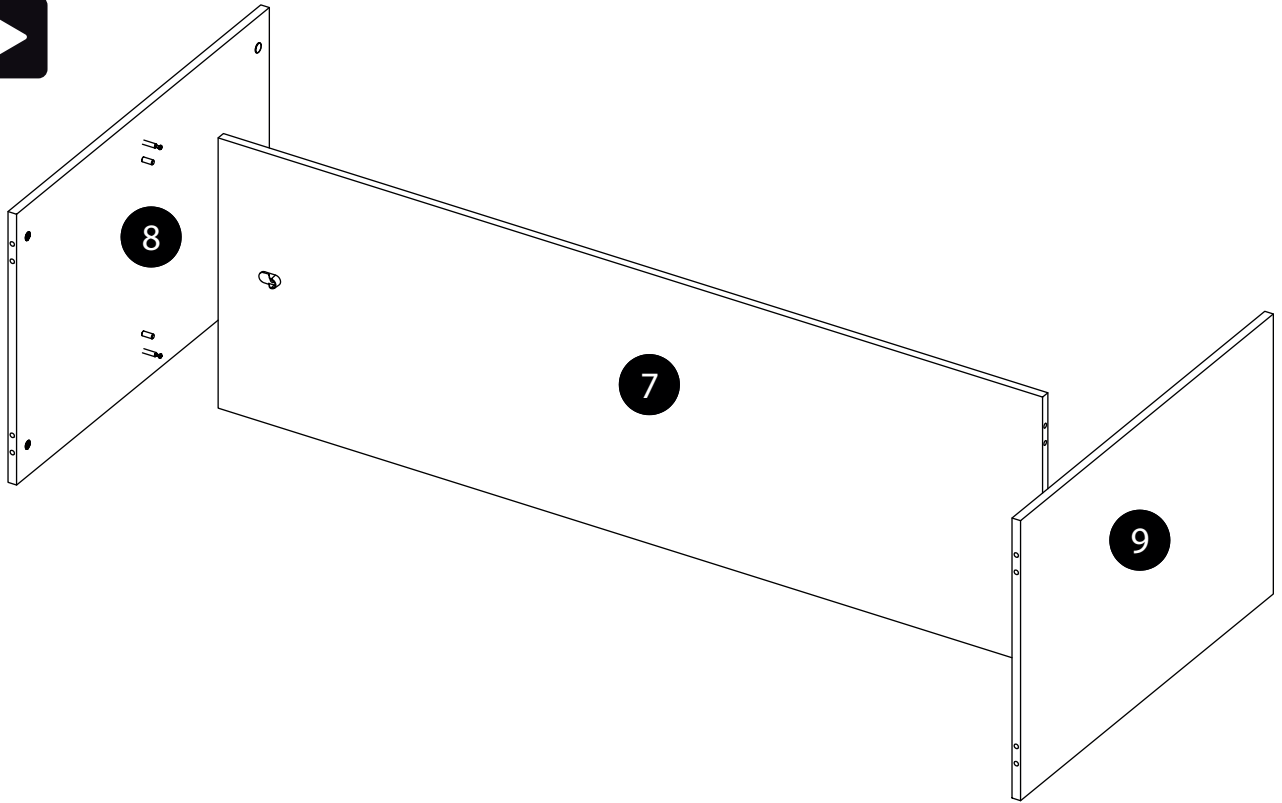




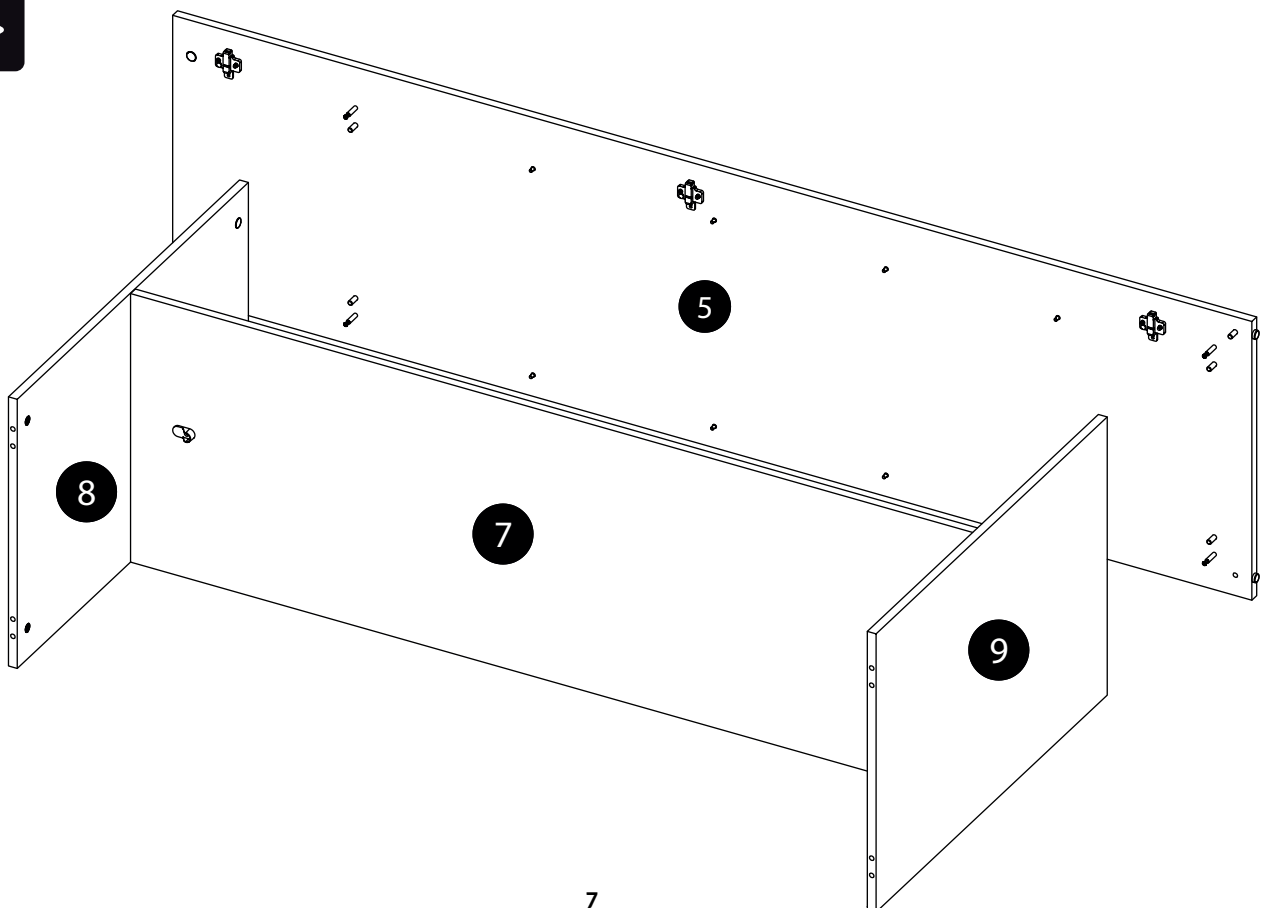


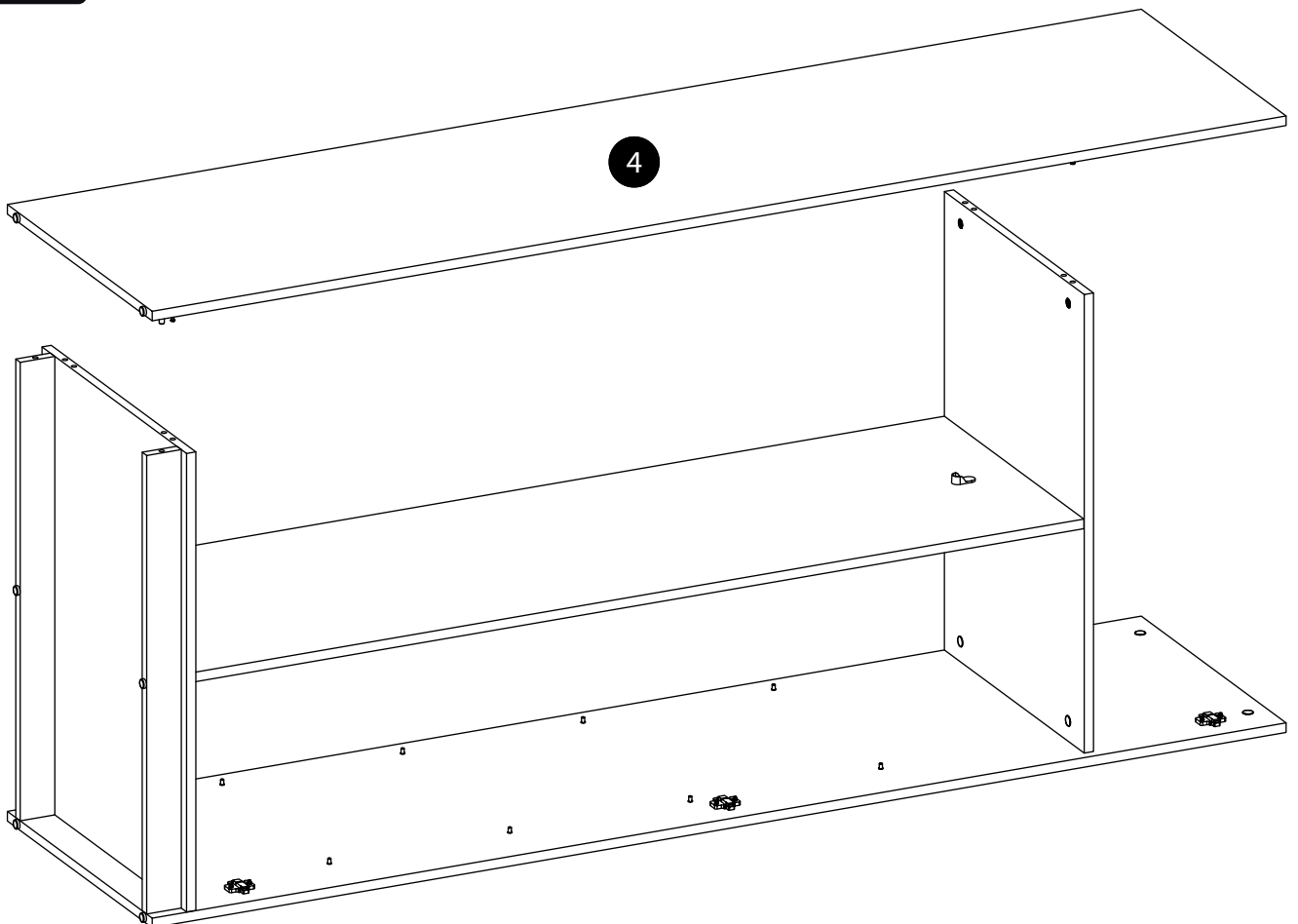
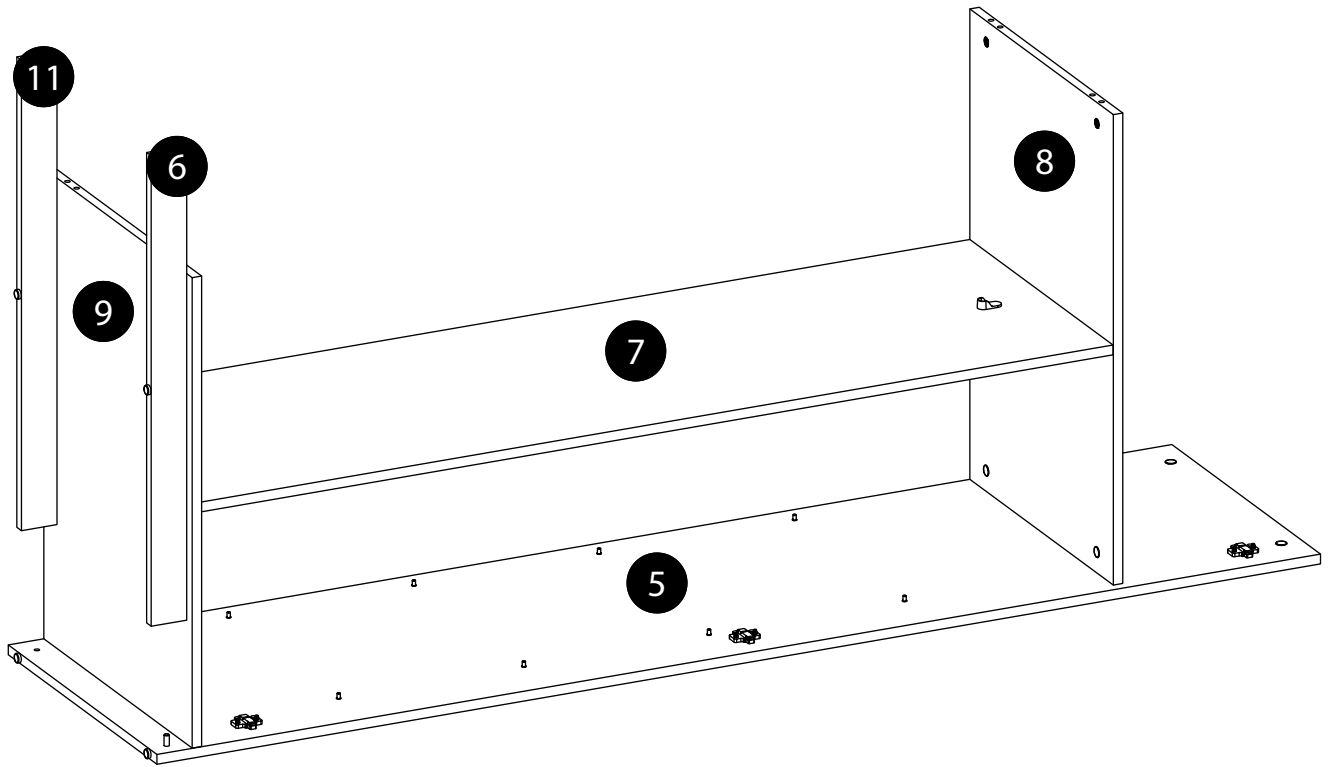


A ▶

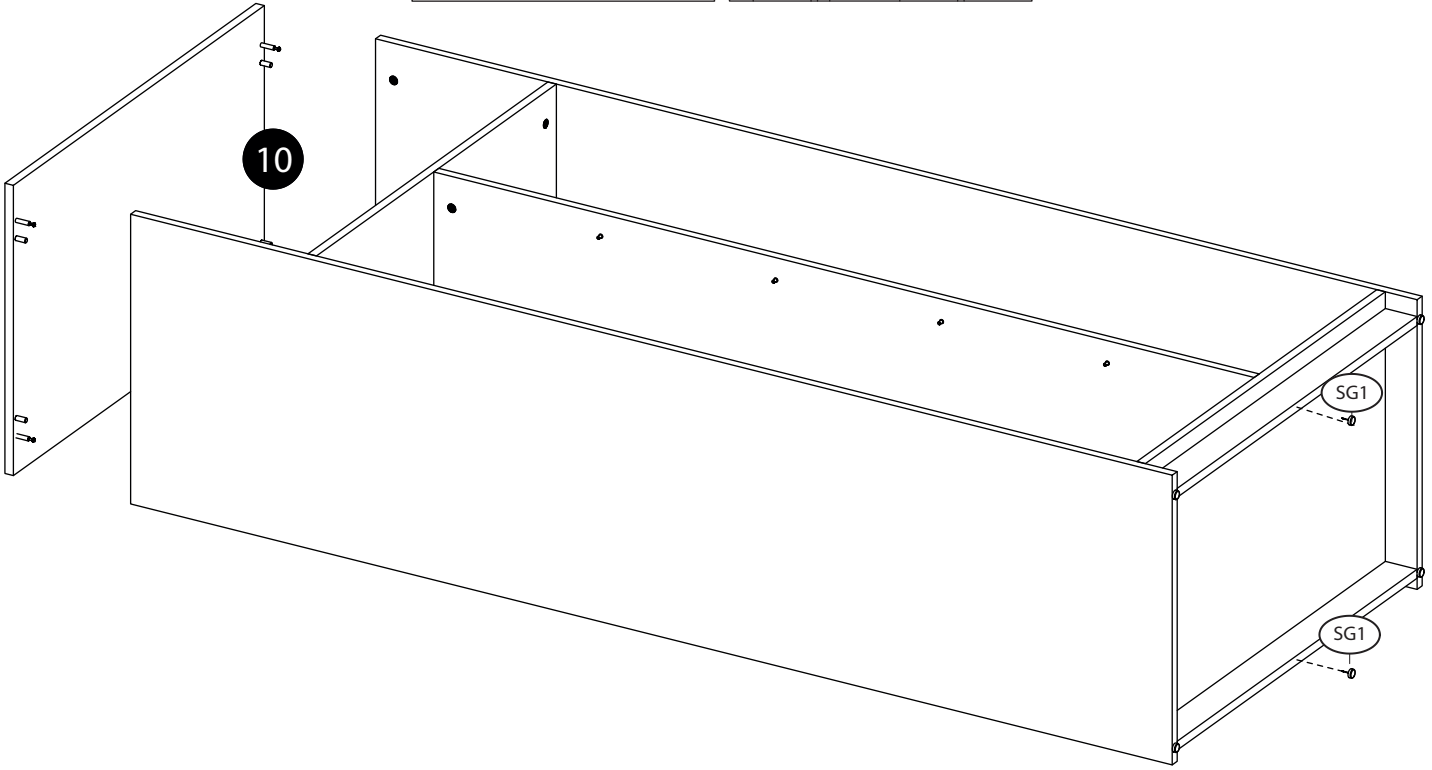
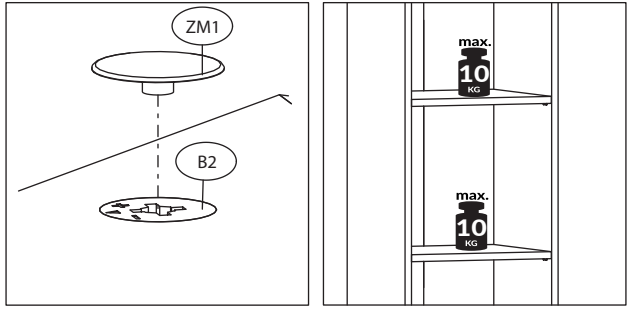


B ▶





E ▶



F ▶

